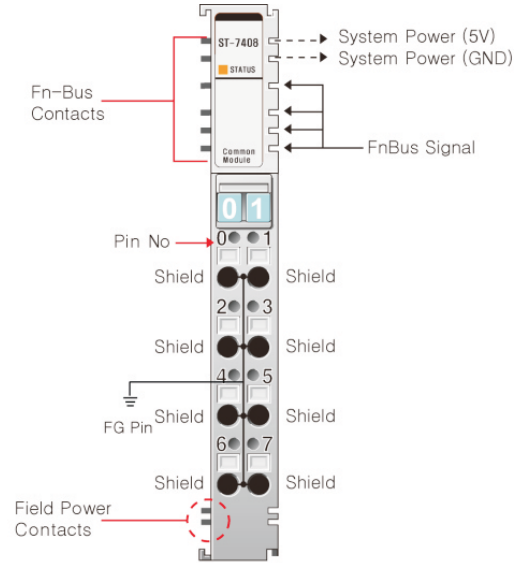
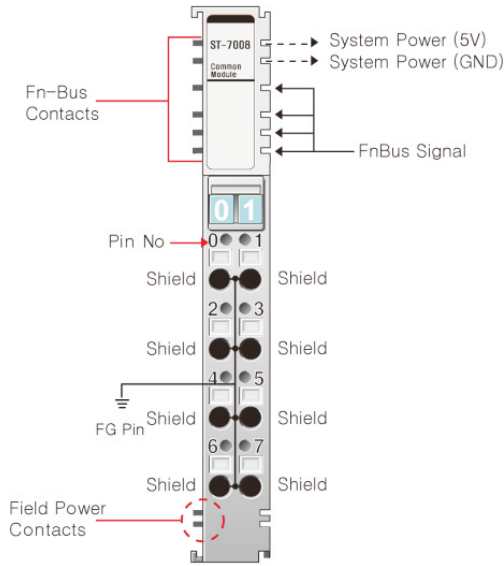


# ST-7008, ST-7408

## Shield, 8 Channels, (ST-7008) 8 Channels, ID Type (ST-7408)

FnIO S-Series Power Module

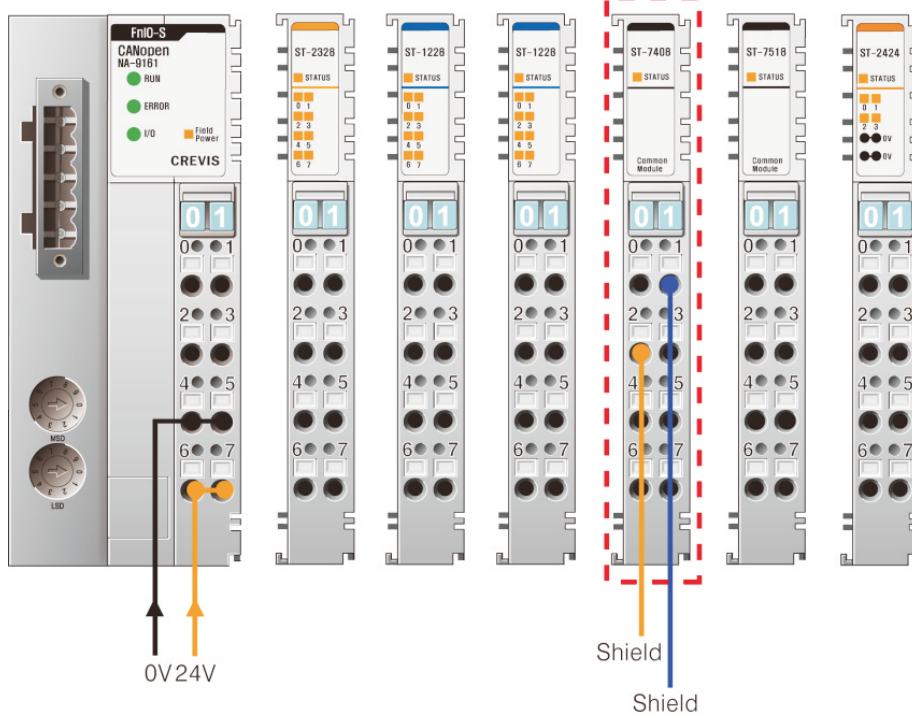
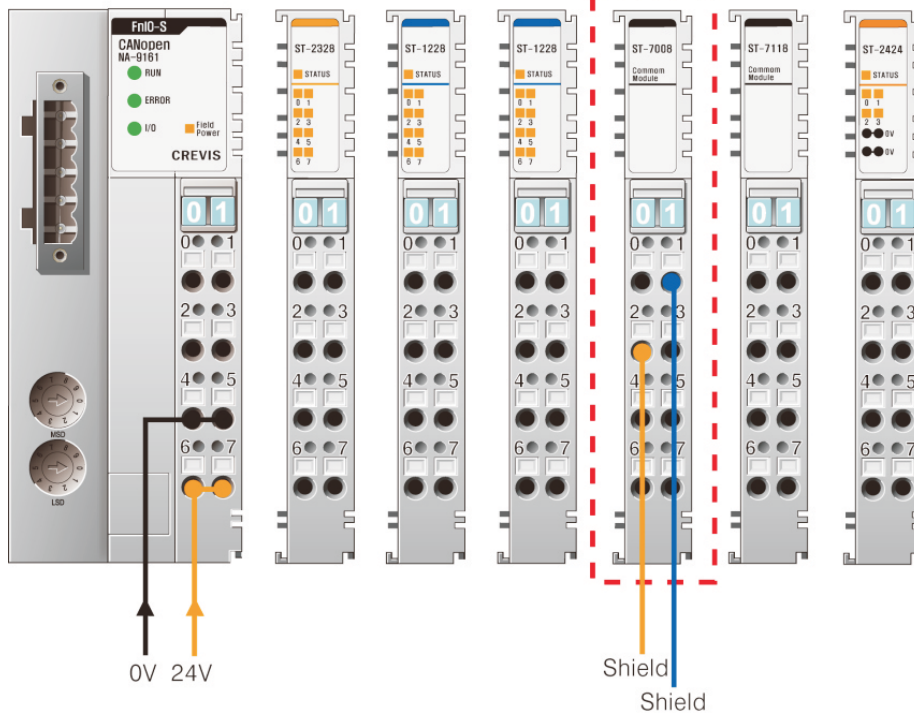


Item	ST-7008	ST-7408
<b>Input Specification</b>		
Field Power Voltage	Shield signal	
Contacts Current	Max. 10A	-
Indicators	N/A	1 Green/Red LED, Module Status
Field Power Contacts Current	-	Max. 10A
Fn-Bus Power Contactor	Yes	
Operating Temperature	-20 to +60 °C	-
Storage Temperature	-45 to +85 °C	-
<b>Specification</b>		<b>General Specification</b>
Power Dissipation	Expansion Power Distributor	-
System Power Dissipation	-	Max. 18mA @5Vdc
Wiring	I/O Cable Max. 2.0mm <sup>2</sup> (AWG#14)	
Weight	65g Max.	70g Max.
Module Size	12mm x 99mm x 70mm	
Environment Condition	Refer to "Environment Specification"(page : 1-191)	
Pin No.	Description	Description
0	Shield	Shield
1	Shield	Shield
2	Shield	Shield
3	Shield	Shield
4	Shield	Shield
5	Shield	Shield
6	Shield	Shield
7	Shield	Shield
-	-	-
-	-	-
-	-	-
-	-	-
-	-	-
-	-	-
-	-	-
-	-	-
-	-	-
-	-	-
-	-	-
-	-	-
-	-	-
-	-	-
-	-	-
-	-	-
-	-	-
-	-	-

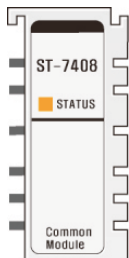
# Power Module

Example :

The ST-7008, ST-7408 provides Shield



## Status LED



Status	STATUS LED is	Indicates
Not Power	OFF	Device has no expansion Module or May Not is Power.
No Initialized		The Parameter is not initialized yet
Fn-Bus Connection	Green	Fn-Bus Normal Operation
Fn-Bus Ready	Flashing Green	Fn-Bus Ready
Fn-Bus Fault	Flashing Red	Fn-Bus failed Communication
Device Fault	Red	Device Fault